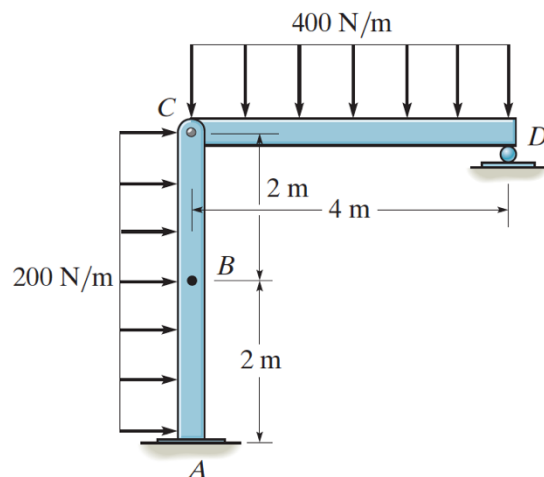
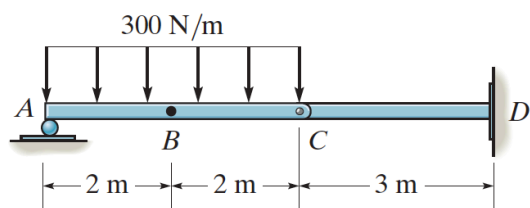
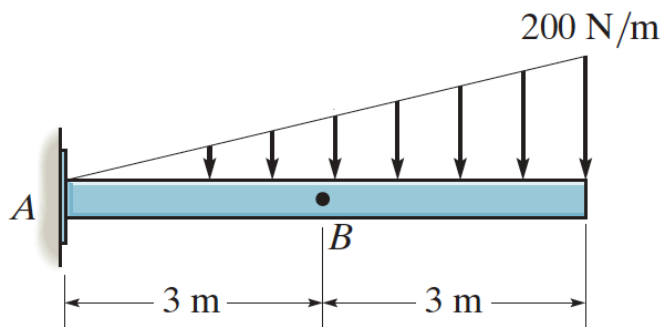
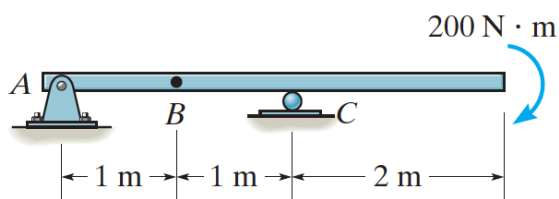
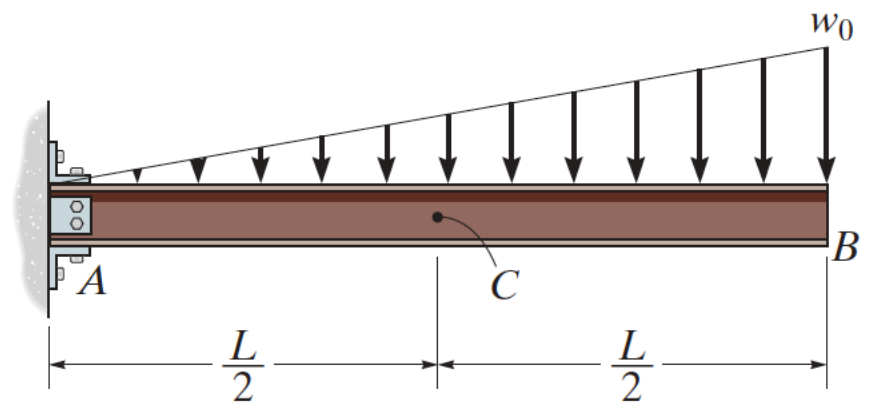


GROUP PROBLEM-SOLVING

In each case, calculate the reaction at A and then draw the free-body diagram of segment AB of the beam in order to determine the internal loading at B.



Q5. Determine the internal normal force, shear force, and moment at point C in the cantilever beam.



Q6. Determine the normal force, shear force, and moment at point C.

